

The LAFORGE team will be glad to welcome you in our booth (**Hall 4, H019**) during SIMA 2019.

The highlight on this edition is the **DynaTrac® interface which has been awarded a Gold medal for the SIMA 2019**.

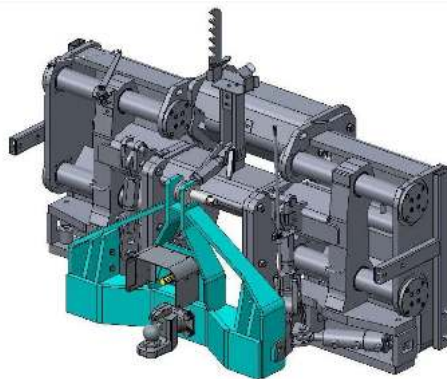
Its universality represent a major step forward to ease implementation of Active Implement Guidance with any type of implement : Trailed , Semi-integral and 3 point configuration.

First appearance at the show will be:

-The DynaTrac® Premium + interface for tractor up to 200 HP, compatible with PTO drive line and Cat 3N/Cat 3W implements mast.



-The trailed implement kit allowing DynaTrac® utilization with standard pull type implements.



-A vision guidance DynaTrac® command to cope with crops not being planted with Active Implement Guidance.

Beside first products appearance, will be exhibited our front hitches- front PTOs and front blade products line.

Looking forward to meeting with you there.



Bjarne C. Mikkelsen Colindagro.

COLINDagro